

TRANBERG® BlueLine Floodlight

TEF 2580 LED

For Area Lighting on Vessels



TRANBERG® BlueLine Lighting Series represents the highest standards in quality, cost-effective marine lighting for today's modern ships and delivers reduced CAPEX/OPEX through easy installation and no maintenance.

The Tranberg® BlueLine Series has been designed to provide marine operators with a world quality standard in marine lighting.

The series provides the very latest safety, sustainability and connectivity standards required for today's modern ship designs, including autonomous ships.

Application

- Area lighting for ships.
- Suitable for harsh environments.

Features and benefits

- Light weight.
- Corrosion resistant.
- High lumen output.
- Uniform light distribution.
- Dali available.

Approvals and certificates

Pending



Technical Data

Material:	Seawater resistant aluminium, powder coated (corrosion class C5M), glass
Input voltage:	100-240V AC
Light output:	Up to 30 000lm, 5000K, >70 CRI (Other versions to come)
Power consumption:	Up to approx. 300W
Ingress protection:	IP66/67
Weight w/ mounting bracket and package:	19 kg
Mounting:	Several mounting options available
Cable entries:	2x Phoenix QPD quick installation plugs for cable up to 2,5mm ²
Operating temperature:	-40° to +55°C
Light distribution:	Narrow, Medium, Wide, Oval
Light Source:	LED
Color temperature:	5000K

TRANBERG **STAHL**
THE STRONGEST LINK.

R. STAHL TRANBERG AS
Main office | Strandsvingen 6 | N-4032 Stavanger, Norway

SATECO

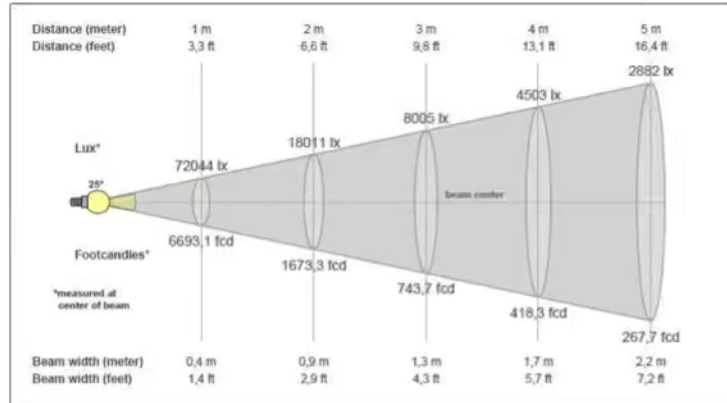
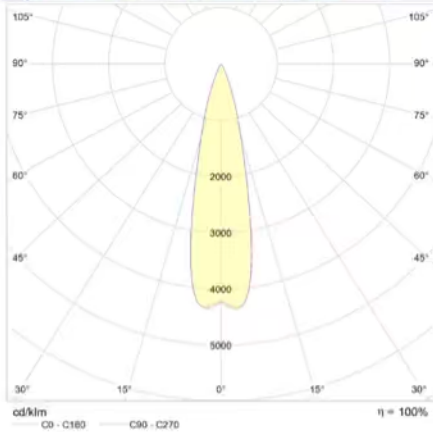
CAMOGLI (GE) - ITALIA
Tel: +39 0185 773815
www.sateco.it
info@sateco.it

TRANBERG® BlueLine Floodlight

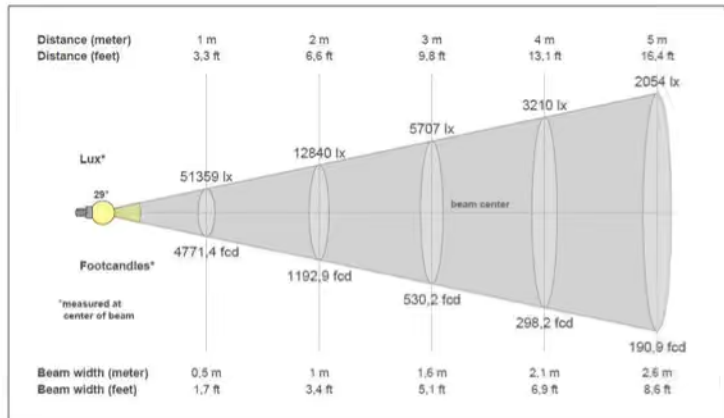
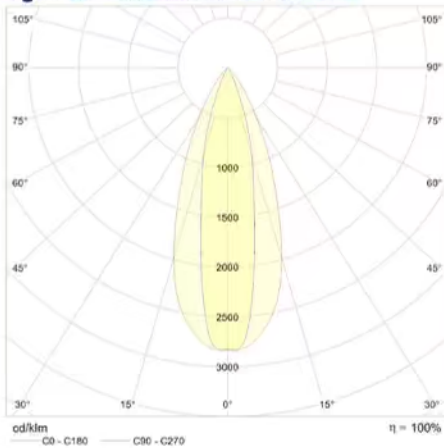
TEF 2580 LED

For Area Lighting on Vessels

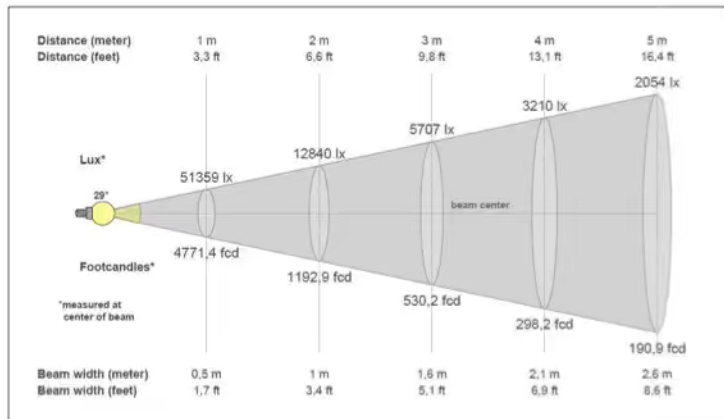
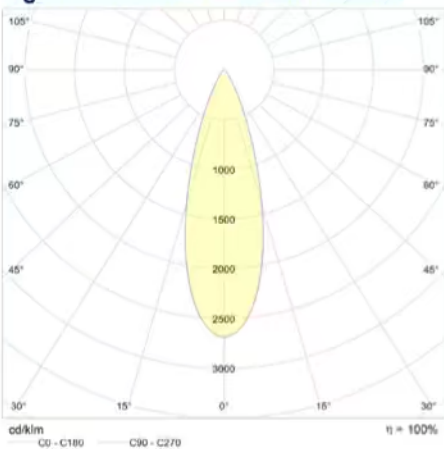
Light distribution 20000lm Narrow



Light distribution 20000lm Oval



Light distribution 20000lm Medium



R. STAHL TRANBERG AS
Main office | Strandsvingen 6 | N-4032 Stavanger, Norway



CAMOGLI (GE) - ITALIA
Tel: +39 0185 773815
www.sateco.it

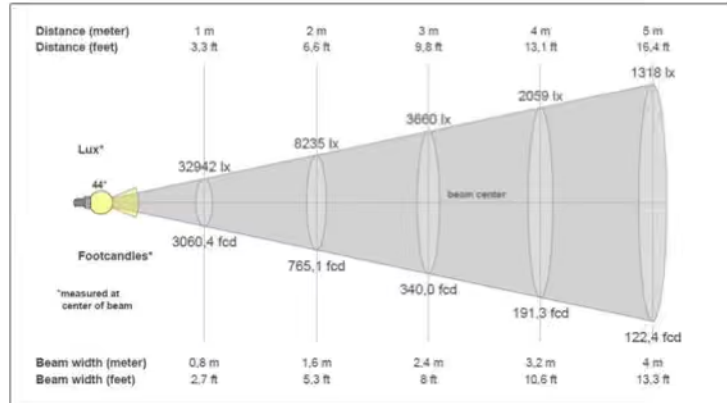
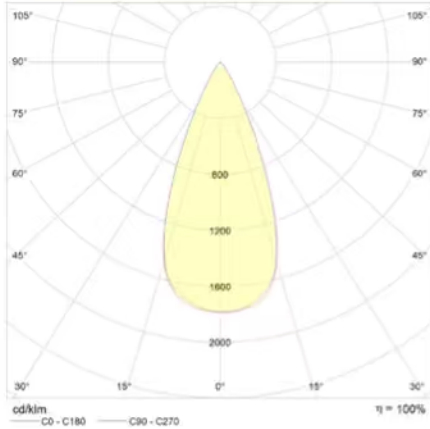
info@sateco.it

TRANBERG® BlueLine Floodlight

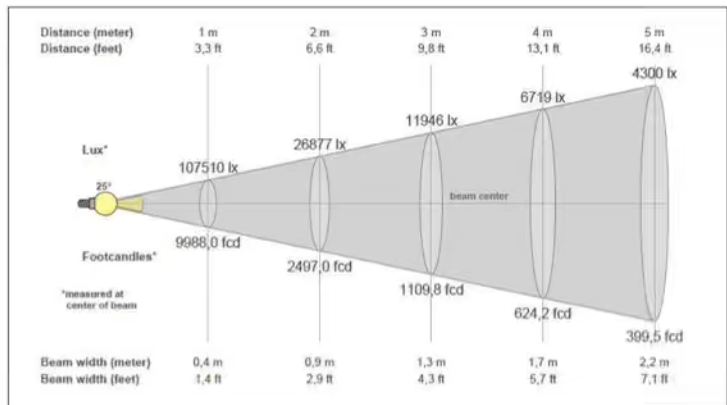
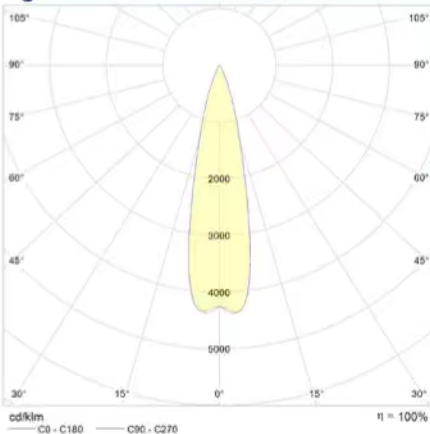
TEF 2580 LED

For Area Lighting on Vessels

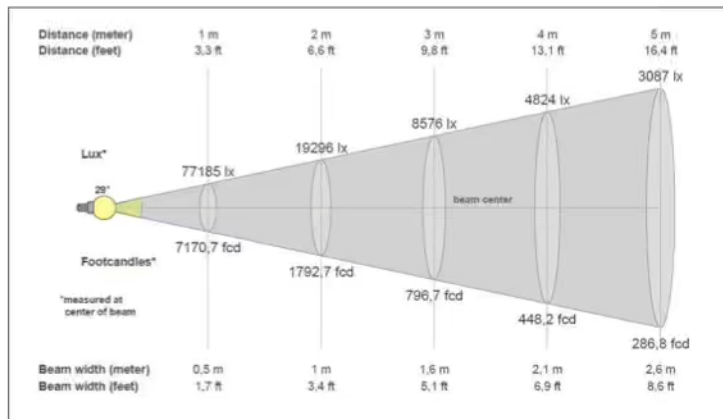
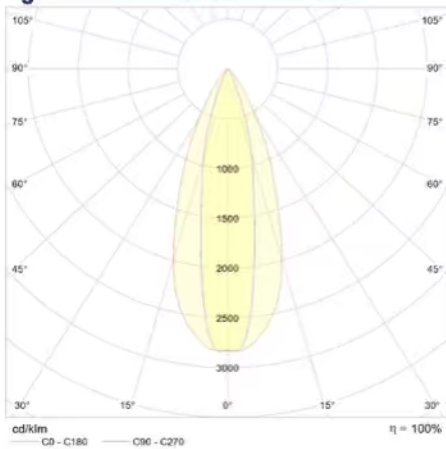
Light distribution 20000lm Wide



Light distribution 30000lm Narrow



Light distribution 30000lm Oval



R. STAHL TRANBERG AS
Main office | Strandsvingen 6 | N-4032 Stavanger, Norwa

SATECO

CAMOGLI (GE) - ITALIA

Tel: +39 0185 773815

www.sateco.it

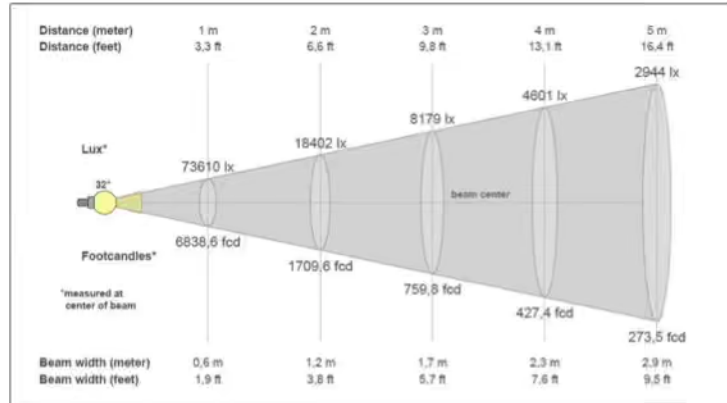
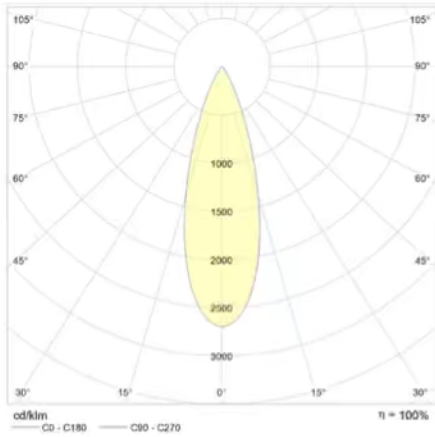
info@sateco.it

TRANBERG® BlueLine Floodlight

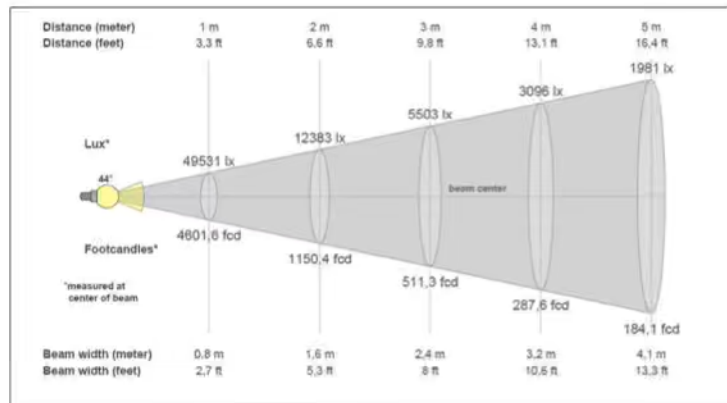
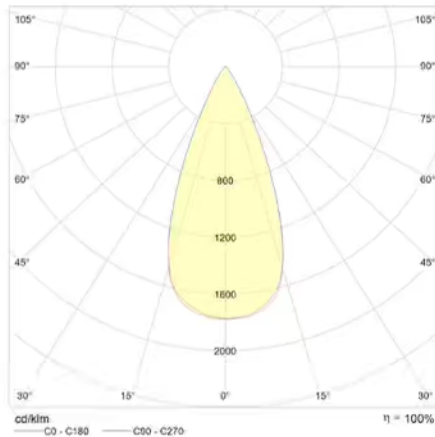
TEF 2580 LED

For Area Lighting on Vessels

Light distribution 30000lm Medium



Light distribution 30000lm Wide



TRANBERG® BlueLine Floodlight

TEF 2580 LED

For Area Lighting on Vessels

Description	Part No. Standard version	Part No. DALI version
TRANBERG® BlueLine LED Floodlight 200W, NARROW	2580212	2580512
TRANBERG® BlueLine LED Floodlight 200W, MEDIUM	2580222	2580522
TRANBERG® BlueLine LED Floodlight 200W, WIDE	2580232	2580532
TRANBERG® BlueLine LED Floodlight 200W, OVAL	2580242	2580542
TRANBERG® BlueLine LED Floodlight 300W, NARROW	2580312	2580612
TRANBERG® BlueLine LED Floodlight 300W, MEDIUM	2580322	2580622
TRANBERG® BlueLine LED Floodlight 300W, WIDE	2580332	2580632
TRANBERG® BlueLine LED Floodlight 300W, OVAL	2580342	2580642

No.	Description Options and Spare Parts	Part No.
1	Sealing plug for unused cable entries (delivered with the lamp)	50500231
2	Protective cap for unused cable entries IP68 (option, must be ordered separately)	50500226

Dimensions

